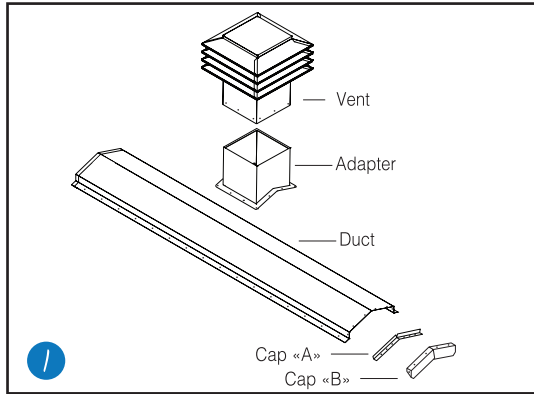


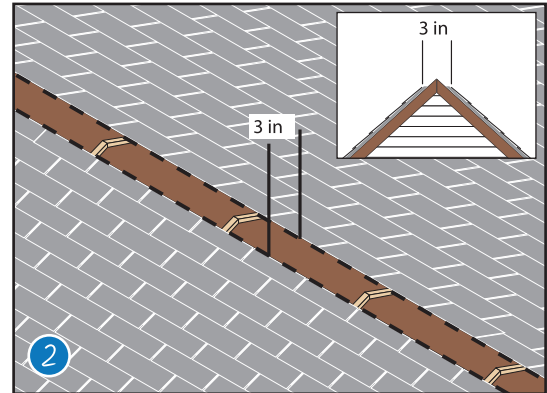
INSTALLATION

Ridge vent installation of a cathedral roof

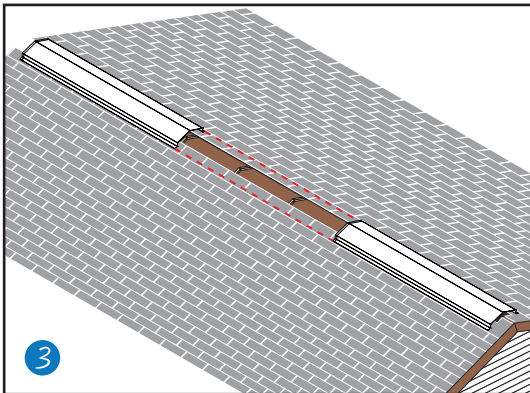
OPTI-FC412



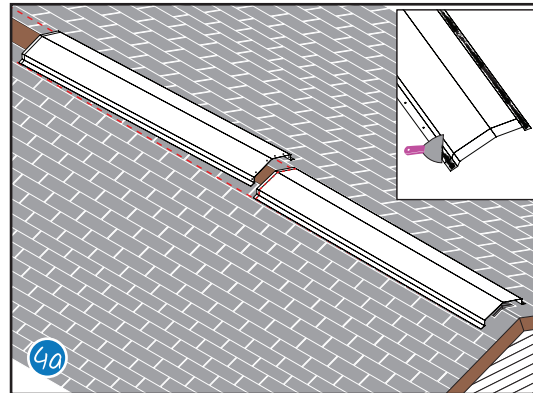
Components for the OPTI-FC412 ventilation system.



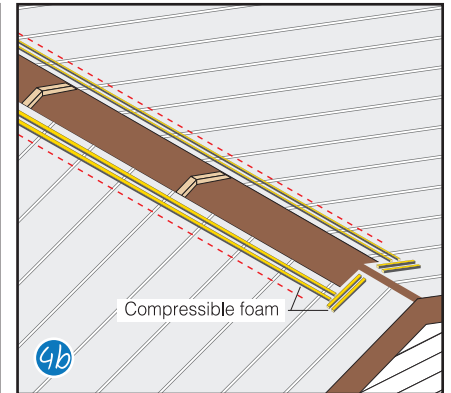
On an existing roof: remove the shingles from the ridge of the roof along the entire length leaving both ends of the roof uncut. Draw and cut two lines on the roof to create a 3-inch opening centered with the ridge of the roof. Clear the ridge with precautions to avoid damaging the roof structure.



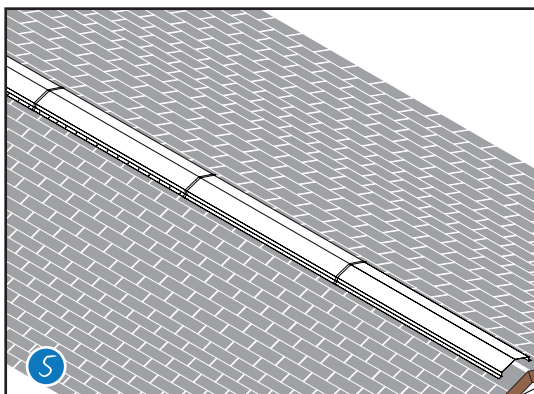
Temporarily install 2 ducts, one at each end. Draw a line on the shingles, making sure they are aligned perfectly.



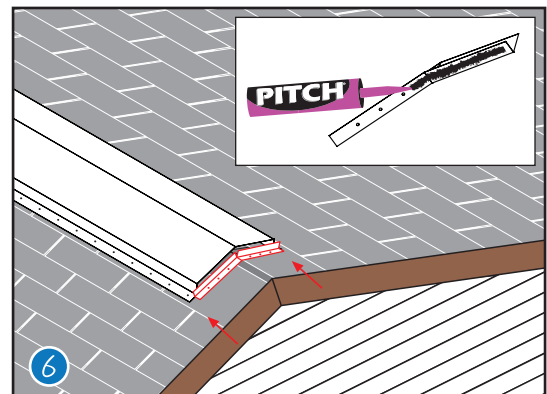
Apply CR20 or T20 plastic cement under the base of the duct and screw at the roof. Make sure you follow the lines. Straddle the second duct on the first using screws starting at the top and fix it at the roof.



On a sheet metal roof: Apply 2 rows of compressible foam inside the lines and at both ends of the ridge and screw the duct at the roof. Make sure you follow the lines. Straddle the second duct on the first using screws starting at the top and fix it at the roof. As illustrated in Part 4a.



Repeat the final steps for all other duct.

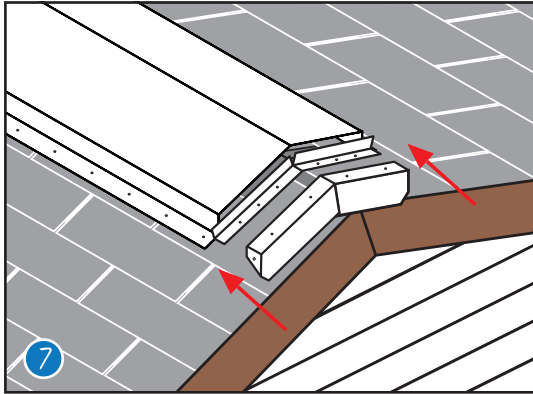


Apply CR20 or T20 plastic cement under the base of the "A" cap. Place the "A" cap on the end of the duct, as shown, and screw to the roof.

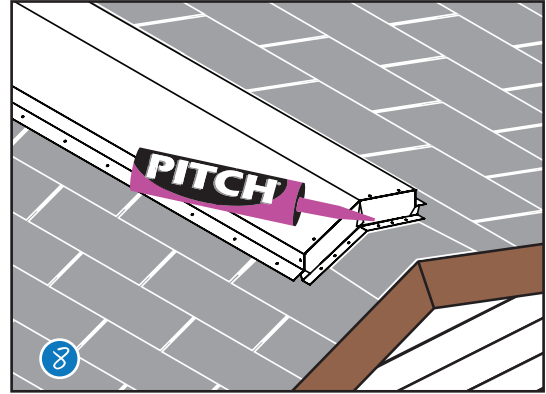
INSTALLATION

Ridge vent installation of a cathedral roof

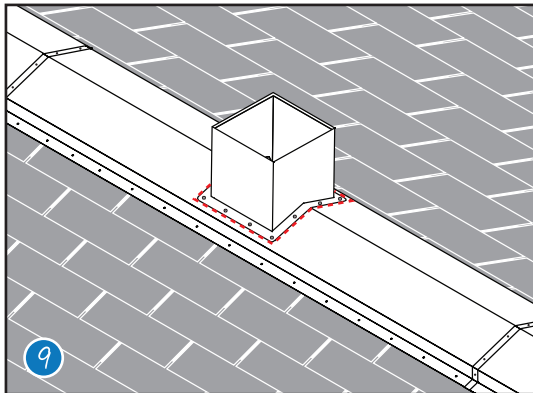
OPTI-FC412



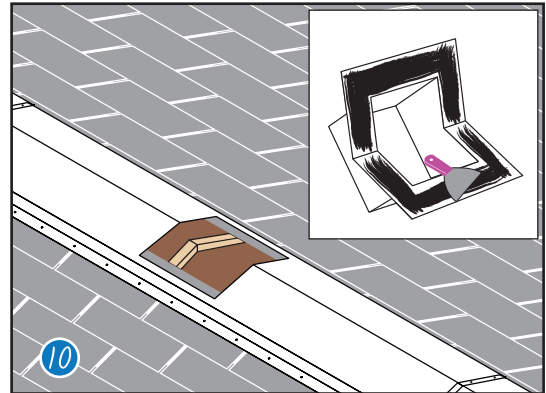
7 Apply CR20 or T20 plastic cement under the base of the "B" cap. Place the "B" cap on the end of the duct, as shown and screw.



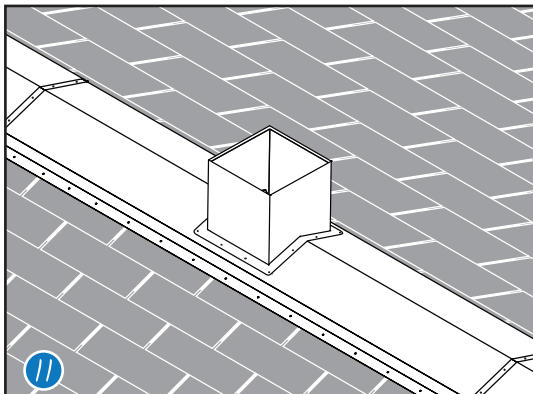
8 Apply a CR20 or T20 plastic cement on all corners and joints, making sure to waterproof the unit. Re-install the ridge shingles at both ends.



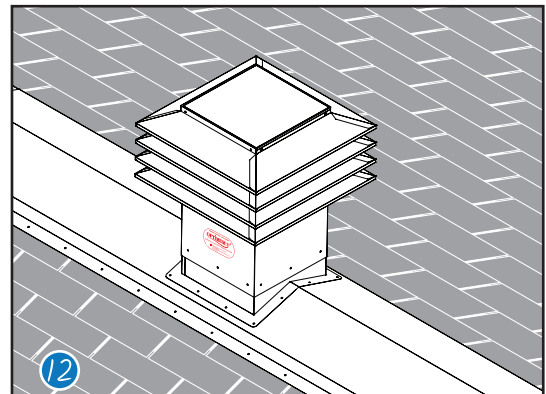
9 Place the adapter on the duct in the right place. Use the adapter as a template and draw a line around the adapter on the duct.



10 Cut the opening along the drawn line. Apply a layer of CR20 or T20 plastic cement to the inside of the adapter's shoulder, as shown.



11 Replace the Adapter on the opening of the duct, fix and screw to the duct.



12 Place the vent on the adapter, level and screw on the spot.