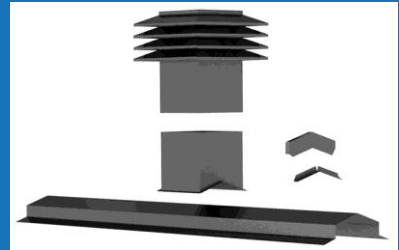


Ridge vent for cathedral roof OPTI-FC412

This Cathedral-type roof vent exchanges the air from the attic with the combination of a 3-or 4-fin vent. It is the ideal system for preventing heat and moisture accumulation in the attic that damages the structural integrity of the building and its components. By exchanging air from the space between each roof truss with the air coming from the soffit, the stale air will be directed towards the vent and the introduction of fresh air will maintain the ideal temperature for the attic. There will be an uninterrupted exchange of air. There will be an exchange of air in the attic at a frequency of 418 ft³/min, thus ventilating an area of 1000 to 1200 sq. ft.



Advantages

- Optimizes and evenly regulates the ventilation of the attic
- Facilitates the evacuation of heat and condensation
- Preserves the integrity of the attic materials
- Design adjusts easily to the ridge of roofing, sheet metal or shingles with a professional look
- Easy to assemble and install
- Consumer friendly lead times

Colours

Standard colours available: brown, grey and black. Other colours available as special order (additional fee).

Norms

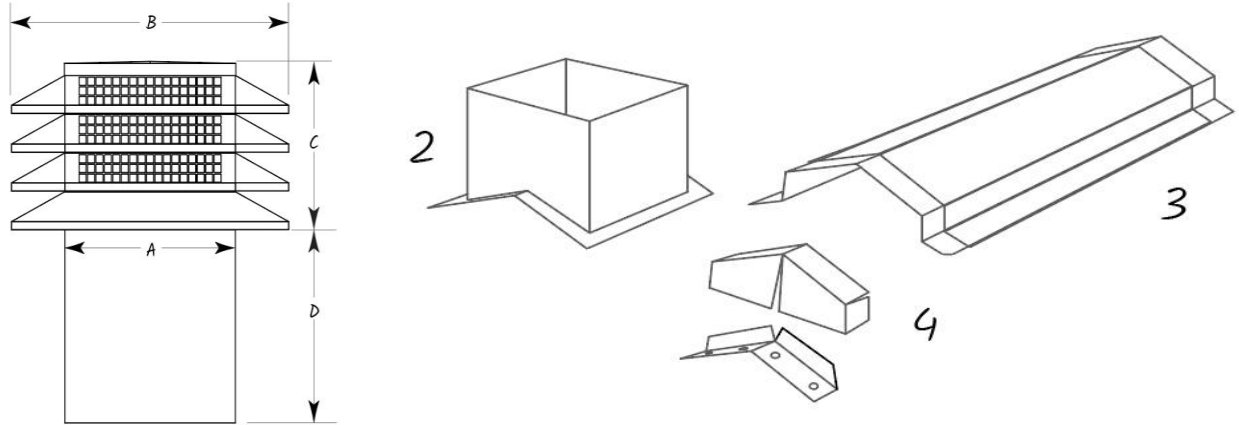
CSA Certified
The National Building Code requires adequate ventilation of the roof as per the minimum standard of Section 9.19.1 or according to the ACNOR CAN3-A93-M82.

Use

Ventilation is required by the Canadian Building Code. A good ventilation means keeping the attic space near the outside temperature to avoid excessive contrasts. With the help of soffits, for example In summer, the chimney effect created by the Optimum ventilator eliminates excess heat from the attic and thus helps maintain the integrity of the asphalt shingles. In winter, you will get a drier attic. No matter what the season, Optimum Ventilators will help to optimize the comfort of your home!

Characteristics

The vent is manufactured from galvanized steel followed by a specialized baked paint finish.



PRODUCT	EVACUATION	NUMBER OF DEFLECTORS	STEEL GAUGE USED	MATERIAL		
OPTI-FC412	0,09 m ² • 144 in. ²	4	22 - 24 & 26	Galvanized steel		
Part of OPTI-FC412	DESCRIPTION					
1 - Ventilator	A vent has to be calculated at each 20' of length. Not more. For roof exceeding 20', the distance between ventilators can be reduced. You should also take care of the look once finished.					
A	B	C	D			
30,4 cm • 12"	50,8 cm • 20"	25,4 cm • 10"	27,9 cm • 11"			
2 - Base	The adapter connects the ventilator to the insulated duct. An adapter is required for each ventilator. Adapters are insulated, painted and perforated.					
3 - Duct	Built of 26-gauge steel, interior insulated, painted and perforated every 6" on the sides, the duct has to be attached to the ridge of the roof. Each section is 48" long. The 2" first and last inches has to overlap the section giving you a total length of 44" per section once finished. N.B. Please specify the slope of the roof.					
4 - Cap	All parts are, painted and perforated and ready for installation.					

Custom model

Custom models are available as special order. *We can manufacture any other size on request. **Please indicate the slope of the roof and the desired color.

Warranty

The consumer must ensure that this product is appropriate for the intended use. Since the installer's skills and surface conditions are independent of the manufacturer's control, we limit our liability to the replacement of defective equipment only if proof of purchase can be provided. Free on board (FOB factory).