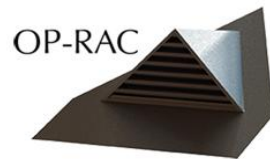
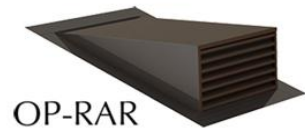


## Cathedral intake vent Rectangular intake vent

**OPTI-RAC**  
**OPTI-RAR**

The OPTI-RAC triangular shaped vent or rectangular-shaped OPTI-RAR, provides the necessary air intake when there is no soffit which allows for proper ventilation of the roof when combined with a standard roof attic vent. These additional air intakes are specially designed to deny water or snow infiltration. Because the part of the unit starts directly from the roof surface, it is always important to ensure that the vent is free. These models are useful when the air intake at the soffit is: - Blocked by insulation. - The exterior wall touches on roof bypass. - At the junction of a attic and the attic.



### Advantages

They may also be used as a passive air deporter  
The media filter prevents all types of weather-related infiltration

### Colours

Standard colours available: brown, grey, black and charcoal. Other colours available on special order (additional fee).

### Norms

CSA Certified  
The National Building Code requires adequate ventilation of the roof as per the minimum standard of Section 9.19.1 or according to the ACNOR CAN3-A93-M82.

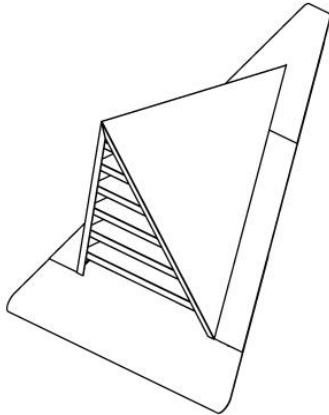
### Use

Ventilation is required by the Canadian Building Code. A good ventilation means keeping the attic space near the outside temperature to avoid excessive contrasts. With the help of soffits, for example In summer, the chimney effect created by the Optimum ventilator eliminates excess heat from the attic and thus helps maintain the integrity of the asphalt shingles. In winter, you will get a drier attic. No matter what the season, Optimum Ventilators will help to optimize the comfort of your home!

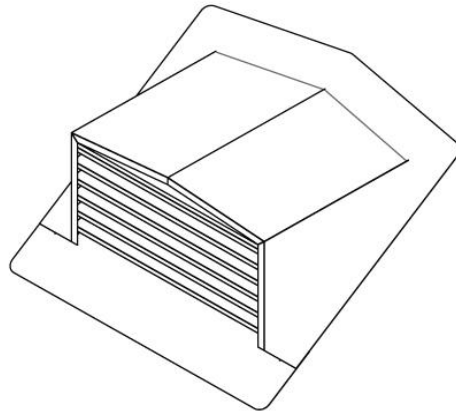
### Characteristics

The vent is manufactured from galvanized steel followed by a specialized baked paint finish.

OP-RAC



OP-RAR



| PRODUCT  | DIMENSIONS | AIR INTAKE                                   | STEEL GAUGE USED |
|----------|------------|--|------------------|
| OPTI-RAC | 24" x 12"  | 0,05 m <sup>2</sup> • 89,2 in. <sup>2</sup>  | 22 - 24 & 26     |
|          | 36" x 18"  | 0,14 m <sup>2</sup> • 224,5 in. <sup>2</sup> |                  |
| OPTI-RAR | 24" x 12"  | 0,09 m <sup>2</sup> • 153,5 in. <sup>2</sup> | 22 - 24 & 26     |
|          | 36" x 18"  | 0,26 m <sup>2</sup> • 412,2 in. <sup>2</sup> |                  |

### Options

Standard manufacturing for slopes of 4/12 and/or custom-made as special order.

This vent is designed per the customer's specifications.

The angle of the roof and the colour are variable.

Make sure the vent is always clear and free of debris ensuring uninterrupted air flow to the roof.

Please indicate the roof slope and the desired color.

Lead times may vary.

### Warranty

The consumer must ensure that this product is appropriate for the intended use. Since the installer's skills and surface conditions are independent of the manufacturer's control, we limit our liability to the replacement of defective equipment only if proof of purchase can be provided. Free on board (FOB factory).