

Wall exhaust OPTI-VM

The Optimum wall exhaust is made to allow you to take out your dryer outlets outside. It can just as easily serve as an air intake by simply removing the inner hatch with some easy handling.



Advantages

The Optimum wall exhaust is manufactured to prevent ice forming on the inner hatch and from inclement weather

Being lined with felt, the inner hatch remains silent at all times

The galvanized steel structure and mesh makes it impossible for birds or rodents to enter

The 9" long collar eliminates the number of joints and prevents any obstruction of the device

The downward angle opening on the other hand, allows for optimal air evacuation in any season while preventing the lint from sticking and soiling the wall

It is available in \varnothing 3", \varnothing 4", \varnothing 5", \varnothing 6", \varnothing 8", \varnothing 10" and 3¼" x 10" format

Colours

Standard colours available: brown, black and white. Other colours available on special order (additional fee).

Norms

In compliance with CSA

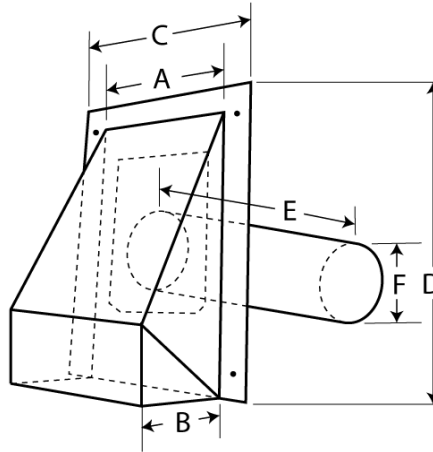
The National Building Code requires adequate ventilation of the roof as per the minimum standard of Section 9.19.1 or according to the ACNOR CAN3-A93-M82.

Use

Optimum Wall Exhaust allow stale air to be drained outwards from different units such as dryers, bathroom fans or stove hoods. When using a dryer outlet be sure to clean the mesh at the bottom of the valve to prevent any possible accumulation of residue.

Characteristics

The vent is manufactured from galvanized steel followed by a specialized baked paint finish.



PRODUCT	DIMENSIONS					CHARACTERISTICS
	A	B	C	D	E	F
OPTI-VM3	7,62 cm • 3"	8,5 cm • 3,5"	12,7 cm • 5"	22,8 cm • 9"	30,5 cm • 12"	Galvanized steel pipe of 3" ø
OPTI-VM4	12,7 cm • 5"	8,5 cm • 3,5"	17,8 cm • 7"	22,8 cm • 9"	30,5 cm • 12"	Galvanized steel pipe of 4" ø
OPTI-VM4S (Short)	12,7 cm • 5"	8,5 cm • 3,5"	17,8 cm • 7"	22,8 cm • 9"	10,5 cm • 4"	Galvanized steel pipe of 4" ø
OPTI-VM5	17,7 cm • 7"	8,5 cm • 3,5"	23 cm • 9"	22,8 cm • 9"	30,5 cm • 12"	Galvanized steel pipe of 5" ø
OPTI-VM6	17,7 cm • 7"	8,5 cm • 3,5"	23 cm • 9"	22,8 cm • 9"	30,5 cm • 12"	Galvanized steel pipe of 6" ø
OPTI-VM8	24,1 cm • 9,5"	11,4 cm • 4,5"	29,2 cm • 11,5"	30,5 cm • 12"	30,5 cm • 12"	Galvanized steel pipe of 8" ø
OPTI-VM8S (Short)	24,1 cm • 9,5"	11,4 cm • 4,5"	29,2 cm • 11,5"	30,5 cm • 12"	10,5 cm • 4"	Galvanized steel pipe of 8" ø
OPTI-VM10REC	25 cm • 10"	8,5 cm • 3,5"	30 cm • 12"	22,8 cm • 9"	30,5 cm • 12"	Galvanized steel pipe of 3 ¼" x 10"

Warranty

The consumer must ensure that this product is appropriate for the intended use. Since the installer's skills and surface conditions are independent of the manufacturer's control, we limit our liability to the replacement of defective equipment only if proof of purchase can be provided. Free on board (FOB factory).