

Roof exhaust OPTI-C

The Optimum roof exhaust is designed for sloped roofs of 2/12 and more. Its design prevents the interior hatch from freezing allowing optimal air evacuation all year. The interior must be insulated to prevent any risk of condensation. This unit picks up stale air from appliances heading outwards such as dryers, bathroom fans or stove hoods. The openings are punched in the galvanized steel structure to block the intrusion of birds or rodents inwards with minimal maintenance. The front deflector prevents the infiltration of inclement weather that could clog the inner hatch.



Advantages

Designed to avoid infiltration

Available in \varnothing 4", \varnothing 6", \varnothing 8", \varnothing 10" and 3¼" x 10"

Colours

Standard colours available: brown, grey and black. Other colours available on special order (additional fee).

Norms

In compliance with CSA

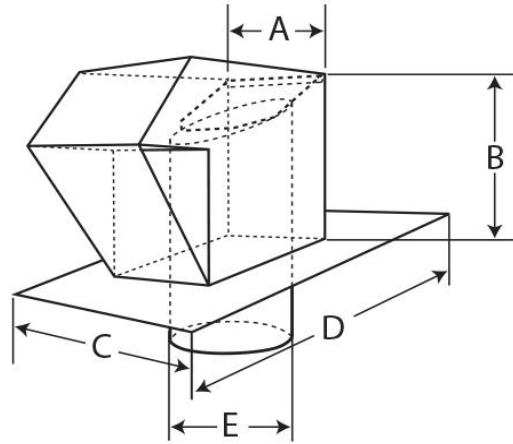
The National Building Code requires adequate ventilation of the roof as per the minimum standard of Section 9.19.1 or according to the ACNOR CAN3-A93-M82.

Use

The Optimum roof exhaust prevents ice formation. It eliminates the possibility of cold air entering into the interior of the house. In addition, the side air unit pushes air upwards rather than directly to the roof. The exit must be 14 cm (5 1/2 inches) higher from the roof to prevent it from obstructing even if there is some snow accumulation. The stale air drain is ideal on the roof. With an exit placed in the soffit the stale air will largely end up in the roof risking condensation and damage to the roof structure or insulation. Even when an Optimum vent is used, this excess hot air and/or moisture can lead to a decrease in efficiency of the vent and cause problems.

Characteristics

The vent is manufactured from galvanized steel followed by a specialized baked paint finish.



PRODUCT	DIMENSIONS				CHARACTERISTICS
	A	B	C	D	E
OPTI-C4	13 cm • 5,13"	19,7 cm • 7,75"	33 cm • 13"	38 cm • 15,"	Galvanized steel pipe of 4" ø
OPTI-C6	18,1 cm • 7,13"	19,7 cm • 7,75"	38 cm • 15"	38,4 cm • 15,13"	Galvanized steel pipe of 6" ø
OPTI-C8	23,9 cm • 9,4"	25,9 cm • 10,19"	44 cm • 17,3"	44,5 cm • 17,5"	Galvanized steel pipe of 8" ø
OPTI-C10	29,7 cm • 11,7"	32,4 cm • 12,75"	49,9 cm • 19,7"	50,5 cm • 19,9"	Galvanized steel pipe of 10" ø
OPTI-C10REC	28,3 cm • 11,13"	19,7 cm • 7,75"	48,3 cm • 19"	38,4 cm • 15,13"	Galvanized steel pipe of 3 ¼" x 10"

Warranty

The consumer must ensure that this product is appropriate for the intended use. Since the installer's skills and surface conditions are independent of the manufacturer's control, we limit our liability to the replacement of defective equipment only if proof of purchase can be provided. Free on board (FOB factory).