

Soffit vent for existing coating OPTI-SS48

Many buildings do not have ventilation at the roof overhangs as required by the National Building Code. This unit is the solution to the air intake problems for these buildings that do not have soffit. The SS model is installed directly onto the fascia board. It is used for roofs that do not need to be redone, but can also be installed below new roof covering. This is why this model has a flap.



Advantages

- New design
- Placed directly on the fascia board
- Very aesthetic and almost not visible
- It allows for easy gutter installation after

Colours

Standard colours available: brown, grey, black, charcoal and white. Other colours available on special order (additional fee).

Norms

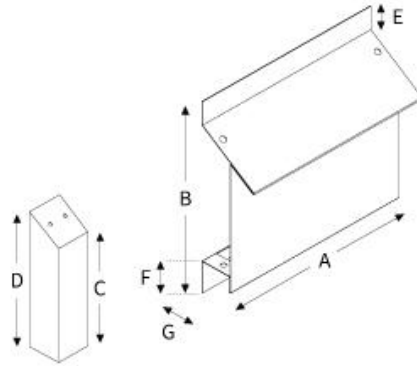
In compliance with CSA
The National Building Code requires adequate ventilation of the roof as per the minimum standard of Section 9.19.1 or according to the ACNOR CAN3-A93-M82.

Use

Ventilation is required by the Canadian Building Code. A good ventilation means keeping the attic space near the outside temperature to avoid excessive contrasts. With the help of soffits, for example In summer, the chimney effect created by the Optimum ventilator eliminates excess heat from the attic and thus helps maintain the integrity of the asphalt shingles. In winter, you will get a drier attic. No matter what the season, Optimum Ventilators will help to optimize the comfort of your home!

Characteristics

The vent is manufactured from galvanized steel followed by a specialized baked paint finish.



PRODUCT	DIMENSIONS							STEEL GAUGE USED
	A	B	C	D	E	F	G	
OPTI-SS48	1 section of 48"	5,5"	3,4375"	4"	0,75"	0,75"	1,125"	24 & 26

37,5 square inch NFA for 48 inches long or .26 square foot NFA by 48 inches long.

Custom model

These products are available by special order only.

Options

Warranty

The consumer must ensure that this product is appropriate for the intended use. Since the installer's skills and surface conditions are independent of the manufacturer's control, we limit our liability to the replacement of defective equipment only if proof of purchase can be provided. Free on board (FOB factory).